

6A TRIACs

Features

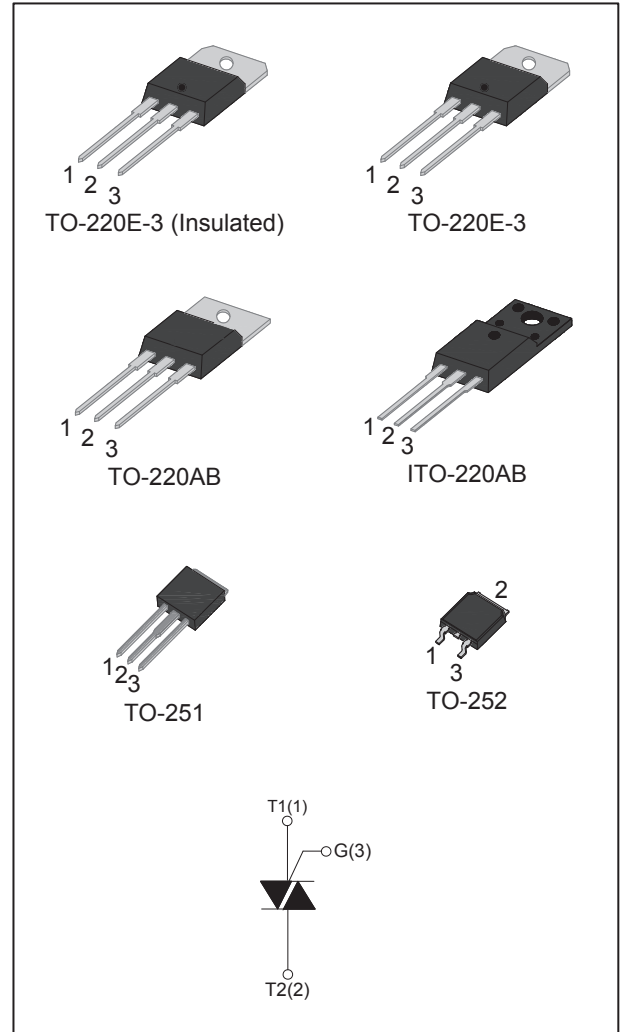
- Glass passivated chip junction
- High voltage and surge capability
- Low thermal resistance and durability
- Triggering in three quadrants
- Pb-free
- RoHS compliant
- SMD device halogen free

Applications

- Static relays
- Heating regulation
- Induction motor starting circuits
- Phase control operation in light dimmers
- Motor speed controllers

Main Features

Symbol	Value	Unit
$I_{T(RMS)}$	6	A
V_{DRM} / V_{RRM}	600 / 800	V



Absolute Maximum Ratings

Parameter	Symbol	Value	Unit
Storage junction temperature range	T_{STG}	-40 to 150	°C
Operating junction temperature range	T_J	-40 to 150	°C
Repetitive peak off-state voltage ($T_J = 25^\circ\text{C}$)	V_{DRM}	600 / 800	V
Repetitive peak reverse voltage ($T_J = 25^\circ\text{C}$)	V_{RRM}	600 / 800	V
RMS on-state current	TO-220E-3(Ins) ($T_C=100^\circ\text{C}$)	6	A
	TO-220E-3 ($T_C=107^\circ\text{C}$)		
	TO-220AB ($T_C=107^\circ\text{C}$)		
	ITO-220AB ($T_C=97^\circ\text{C}$)		
	TO-251 ($T_C=107^\circ\text{C}$)		
	TO-252 ($T_C=107^\circ\text{C}$)		

Absolute Maximum Ratings

Parameter	Symbol	Value	Unit
Non repetitive surge peak on-state current (180° conduction angle, F = 50Hz, t _P = 20ms, full cycle)	I _{TSM}	60	A
I ² t value for fusing (t _P = 10ms)	I ² t	18	A ² s
Critical rate of rise of on-state current (I _G = 2×I _{GT} , t _r ≤ 100ns)	dI/dt	50	A/μs
Peak gate current	I _{GM}	2	A
Average gate power dissipation	P _{G(AV)}	1	W

Electrical Characteristics (T_J = 25°C unless otherwise specified)

Logic Level & Snubberless (3 Quadrants)

Symbol	Test Condition	Quadrant		Value				Unit
I _{GT}	V _D = 12V, R _L = 100Ω	I - II - III	MAX	5	10	35	50	mA
V _{GT}	V _D = 12V, R _L = 100Ω	I - II - III	MAX	1.5				V
V _{GD}	V _D = V _{DRM} , T _J = 125°C	I - II - III	MIN	0.2				V
I _L	I _G = 1.2×I _{GT}	I - III	MAX	10	15	50	70	mA
		II		15	25	60	80	
I _H	V _{AK} = 12V, I _{GK} = 100mA		MAX	6	10	35	60	mA
dV/dt	V _D = 67% V _{DRM} , Gate open, T _J = 125°C		MIN	50	100	400	1000	V/μs

Static Characteristics

Symbol	Test Condition			Value	Unit
V _{TM}	I _{TM} = 8.5A, t _P = 380μs	T _J = 25°C	MAX	1.6	V
I _{DRM} I _{RRM}	V _D = V _{DRM} , V _R = V _{RRM}	T _J = 25°C	MAX	5	μA
		T _J = 125°C		1	mA

Thermal Resistances

Symbol	Parameter	Value	Unit	
R _{θJC}	Junction to case(AC)	TO-220E-3(Ins)	3.3	°C/W
		TO-220E-3	2.2	
		TO-220AB	2.2	
		ITO-220AB	3.1	
		TO-251	2.7	
		TO-252	2.7	

Ordering Information

Ordering Type	Marking	Package	Quantity	Delivery Mode
T06xx-yyEI	T06xx-yyEI	TO-220E-3(Ins)	50	Tube
T06xx-yyE	T06xx-yyE	TO-220E-3	50	Tube
T06xx-yyT	T06xx-yyT	TO-220AB	50	Tube
T06xx-yyTF	T06xx-yyTF	ITO-220AB	50	Tube
T06xx-yyH	T06xx-yyH	TO-251	80	Tube
T06xx-yyDP	T06xx-yyDP	TO-252	3,000	13" diameter reel

Note : xx = sensitivity, yy = voltage

Ordering Information Scheme

T 06 05 - 600 E

Triac series

T = 3 Quadrants

$I_{T(RMS)}$

06 = 6A

I_{GT} Sensitivity

05 = 5/5/5mA

10 = 10/10/10mA

35 = 35/35/35mA

50 = 50/50/50mA

V_{DRM} / V_{RRM}

600 = 600V

800 = 800V

Package type

EI = TO-220E-3(Ins)

E = TO-220E-3

T = TO-220AB

TF = ITO-220AB

H = TO-251

DP = TO-252

Ratings and Characteristics Curves

Fig.1 - RMS on-state current versus case temperature

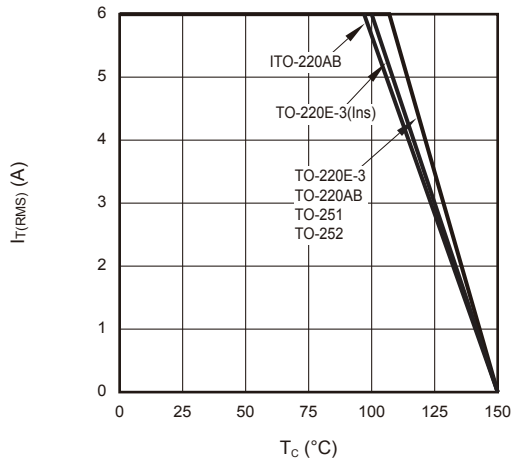


Fig.2 - Surge peak on-state current versus number of cycles

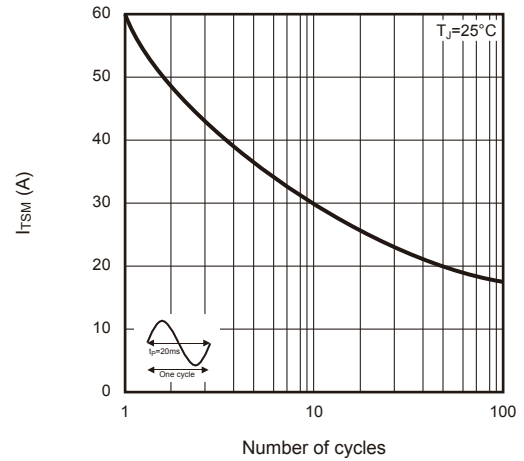


Fig.3 - On-state characteristics (maximum values)

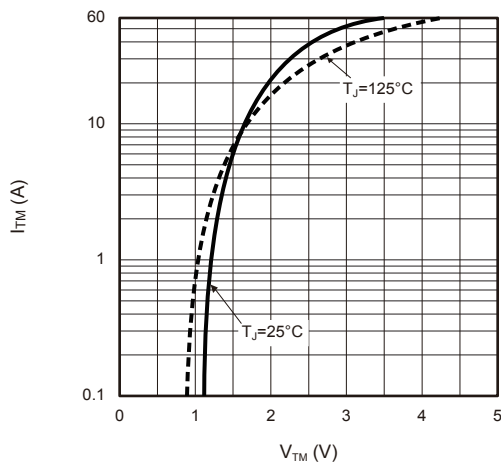


Fig.4 - Maximum power dissipation versus RMS on-state current

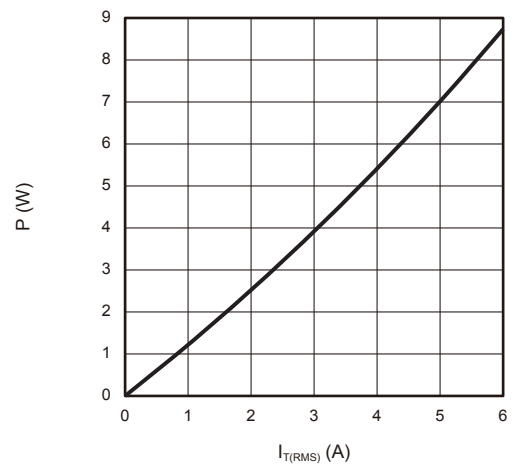
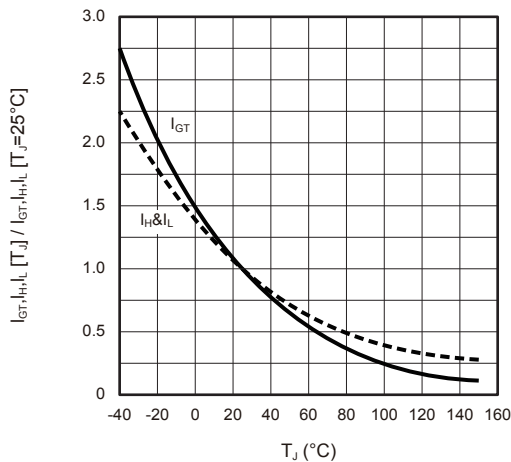
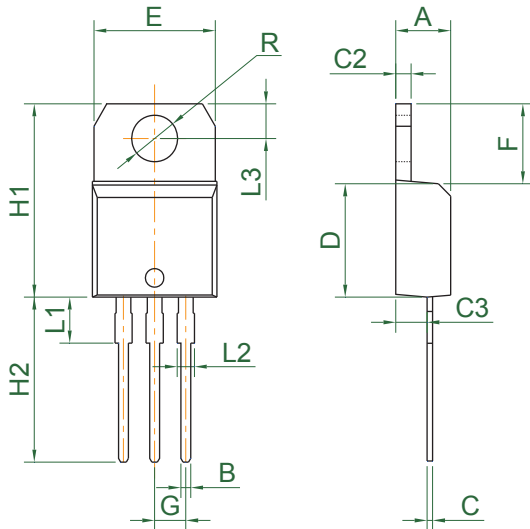


Fig.5 - Relative variations of gate trigger current, holding current and latching current versus junction temperature



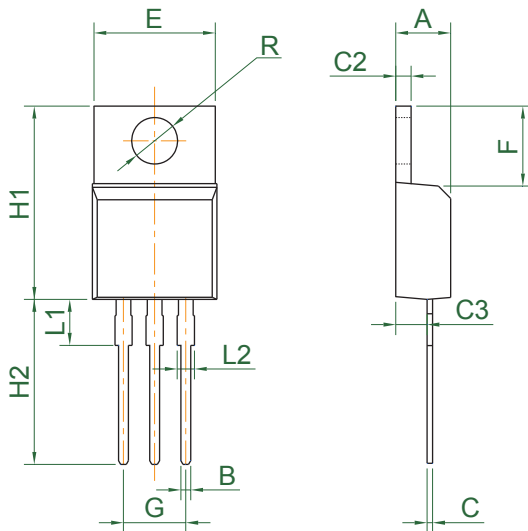
Package Outline Dimensions

TO-220E-3 / TO-220E-3(Ins)



Ref.	Dimensions					
	Millimeters			Inches		
	Min.	Typ.	Max.	Min.	Typ.	Max.
A	4.38	-	4.61	.172	-	.182
B	0.6	-	0.92	.024	-	.036
C	0.35	-	0.7	.014	-	.028
C2	1.15	-	1.36	.045	-	.054
C3	2.35	-	2.75	.092	-	.108
D	8.6	-	9.7	.339	-	.382
E	9.8	-	10.4	.386	-	.409
F	5.85	-	6.95	.230	-	.274
G	2.4	-	2.7	.094	-	.106
H1	14.8	-	16.1	.583	-	.634
H2	13.0	-	14.0	.512	-	.551
L1	2.8	-	4.2	.110	-	.165
L2	1.14	-	1.7	.045	-	.067
L3	2.65	-	3.1	.104	-	.122
R	3.7	-	3.95	.146	-	.156

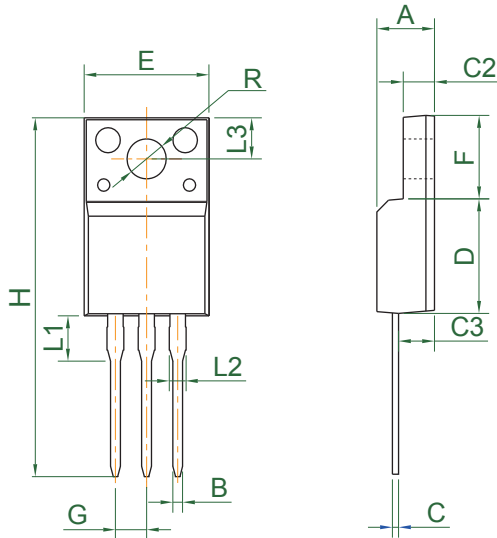
TO-220AB



Ref.	Dimensions					
	Millimeters			Inches		
	Min.	Typ.	Max.	Min.	Typ.	Max.
A	4.07	-	4.85	.160	-	.191
B	0.6	-	1.0	.024	-	.039
C	0.28	-	0.7	.011	-	.028
C2	1.1	-	1.5	.043	-	.059
C3	2.04	-	2.92	.080	-	.115
E	-	-	10.5	-	-	.413
F	5.8	-	6.93	.228	-	.273
G	4.84	-	5.32	.190	-	.209
H1	13.0	-	16.6	.512	-	.654
H2	12.7	-	14.2	.500	-	.559
L1	2.7	-	4.5	.106	-	.177
L2	1.1	-	1.7	.043	-	.067
R	3.4	-	3.95	.134	-	.156

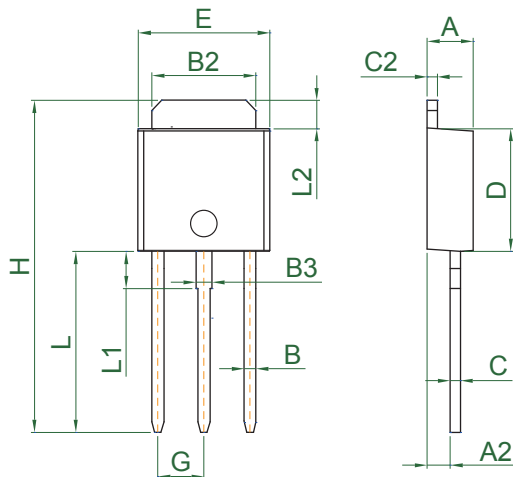
Package Outline Dimensions

ITO-220AB



Ref.	Dimensions					
	Millimeters			Inches		
	Min.	Typ.	Max.	Min.	Typ.	Max.
A	4.0	-	5.1	.157	-	.201
B	0.3	-	0.9	.012	-	.035
C	0.4	-	0.8	.016	-	.031
C2	2.34	-	3.3	.092	-	.130
C3	2.1	-	3.2	.083	-	.126
D	8.3	-	9.3	.327	-	.366
E	9.5	-	10.7	.374	-	.421
F	6.3	-	7.5	.248	-	.295
G	2.01	-	3.07	.079	-	.121
H	28.0	-	29.8	1.102	-	1.173
L1	2.5	-	4.3	.098	-	.169
L2	0.9	-	1.7	.035	-	.067
L3	2.5	-	3.6	.098	-	.142
R	2.7	-	4.31	.106	-	.170

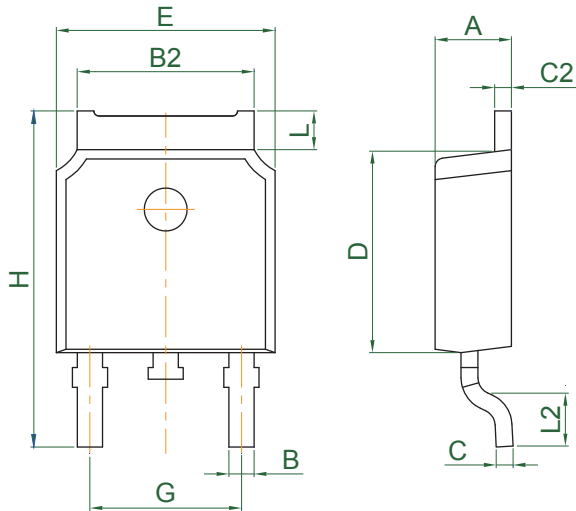
TO-251



Ref.	Dimensions					
	Millimeters			Inches		
	Min.	Typ.	Max.	Min.	Typ.	Max.
A	2.2	-	2.4	.087	-	.095
A2	0.9	-	1.5	.035	-	.059
B	0.5	-	0.7	.020	-	.028
B2	5.1	-	5.4	.201	-	.213
B3	0.7	-	1.0	.028	-	.039
C	0.45	-	0.62	.018	-	.024
C2	0.66	-	0.94	.026	-	.037
D	6.0	-	6.2	.236	-	.244
E	6.4	-	6.7	.252	-	.264
G	2.2	-	2.4	.087	-	.095
H	15.25	-	15.65	.600	-	.616
L	7.8	-	8.8	.307	-	.346
L1	1.5	-	1.9	.059	-	.075
L2	1.1	-	1.55	.043	-	.061

Package Outline Dimensions

TO-252



Ref.	Dimensions					
	Millimeters			Inches		
	Min.	Typ.	Max.	Min.	Typ.	Max.
A	2.1	-	2.5	.083	-	.098
B	0.55	-	0.96	.022	-	.038
B2	4.98	-	5.58	.196	-	.220
C	0.4	-	0.62	.016	-	.024
C2	0.37	-	0.99	.015	-	.039
D	5.8	-	6.4	.228	-	.252
E	6.3	-	6.9	.248	-	.272
G	4.4	-	4.7	.173	-	.185
H	9.35	-	10.7	.368	-	.421
L	1.09	-	1.5	.043	-	.059
L2	1.35	-	2.2	.053	-	.087